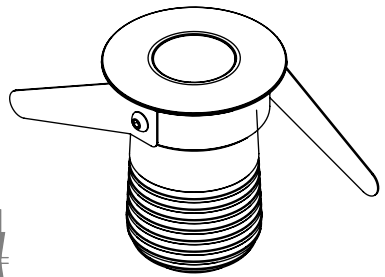
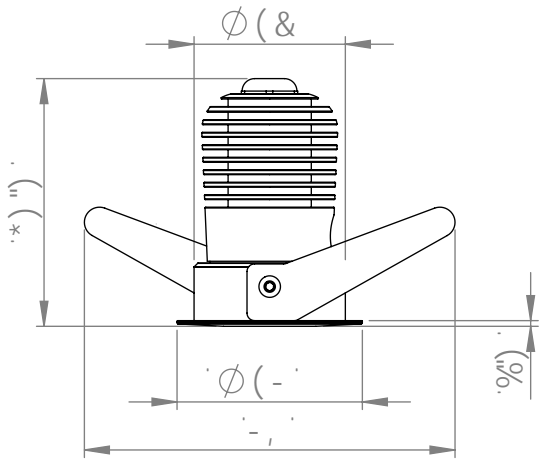


8 fmk U^W hci h



[] b [Y f F