



RESIST

Small size Linear fixture with over 5000 Lumens per Meter and full customization



RESIST is only 45mm wide (including brackets), 52mm high and designed to fit even the narrowest of niches. The main body of the **RESIST** is made out of high quality aluminum profile together with a uniquely designed polycarbonate housing and customized silicon seal for best performance and durability. The uniquely designed body, together with custom designed adjustable brackets, enables the **RESIST** to be adjusted by 270 degrees (135 degrees to each side) making it very flexible for both the designer and the installer.

RESIST is a highly customized fixture with options of:

- Color Temp : 2200-6500K and any color combination desired by the designers (RGB/RGBW/DW.....)
- Number of Led's per Meter : 8/12/18/24
- Choice of 1,2,3 or 4 channels

RESIST can be controlled by d-led's Multichannel Led Drivers or any third-party current driver and with CURRENT SPLITTER for long runs of up to 12.25 meters from one driver *allowing* for the designers to find the best solution for their needs with unlimited options of color combination, number of Leds and optics



	CRI		lm	lm/w				
IP 67	70-90 CRI	50W/Meter	5520lm/M	111lm/w	6° -47° /OVAL	2200 - 6500K	RGB/RGBW/DW	RAL / Anodize

OUTPUT

LED System	High Power Luxeon TX / Luxeon Z ES / Rebel Plus / Rebel
Intensity	5520 lm per 100cm / CRI 80 / 4000K / 700mA
Channel Range	1,2,3 4 Channels
Color Range	2200K / 2700K / 3000K / 3500K / 4000K / 5000K / 5700K / 6500K RGB / RGBW/DW / CUSTOM
Optical System	8° / 12° / 14° / 21° / 26° / 30° / 36° / 47° / Oval 47X12° / 12X47° / 46X10° / 47X10°

ELECTRICAL

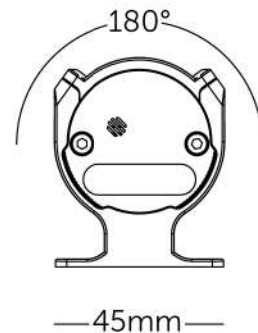
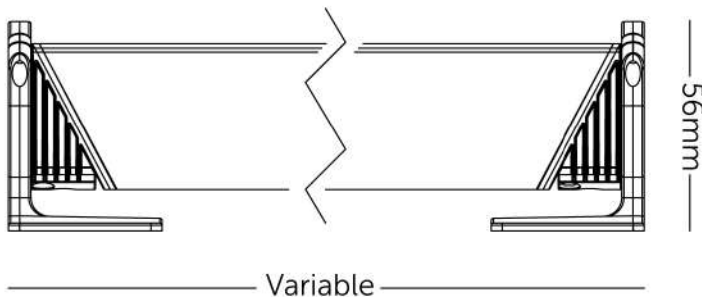
Control	DMX 512 / Constant current driver by DLED / Third Party Led Driver / Current Splitter
Input Voltage	48V
Consumption	Max. 76W
Max LED's	36 LEDs
Efficiency LM/W	111 lm/w @ 700mA
Connection	Cable 10 * 26AWG

ENVIRONMENTAL

IP Rating	IP 67
Working Temp.	-18°C ~ 40°C / 0°F ~ 104°F
Storage Temp.	-18°C ~ 60°C / 0°F ~ 140°F

PHYSICAL

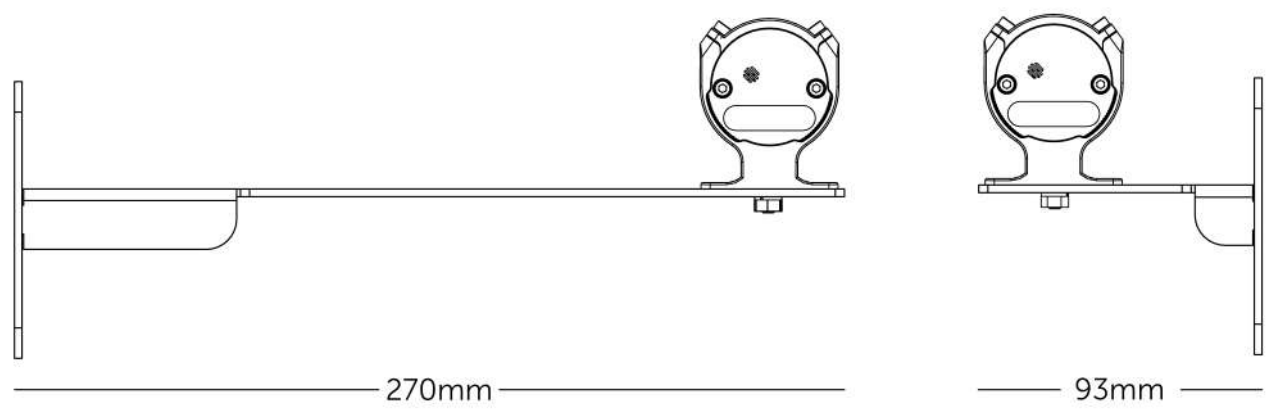
Size	Variable * H56mm * W45mm
Housing	Anodize Aluminum UV stabilized V0 optical grade



FIXTURE LENGTH

Fixture Length	2/4CH	3/4CH	3CH	4CH	3/6CH
176mm	2	3	⊗	4	⊗
342mm	4	6	⊗	8	⊗
507mm	6	9	12	12	6
673mm	8	12	⊗	16	⊗
834mm	10	15	⊗	20	⊗
1004mm	12	18	24	24	12
1170mm	14	21	⊗	28	⊗
1325mm	16	24	⊗	32	⊗
1501mm	18	⊗	36	36	18

BRACKETS



Wall Spacing Bracket

PINOUT

Pin	Polarity	Color
2	CH 1 +	Black
3	CH 1 -	White
1	CH 2 +	Red
6	CH 2 -	Blue
7	CH 3 +	Yellow
4	CH 3 -	Green
8	CH 4 +	Orange
10	CH 4 -	Purple
9	NTC	Grey
5	NTC	Brown

