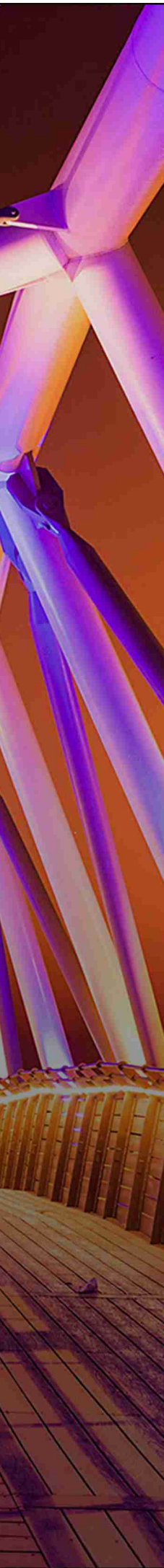




HIVEMINI

A circular Light Fixture suitable for wall washing & areal lighting.





Innovative and stylish design transforms this fixture into a powerful washer, generating a uniform light output from a compact unit. With an aluminum body, perfect proportions and sleek design, it fits elegantly into every environment.

The **HIVE MINI** is operated at 500mA with a maximal power consumption of 18W per fixture. Option for 12 LEDs ranging from 11 to 60 degrees and Oval. The **HIVE MINI** can be operated as 1/2/3 or 4 channels fixture with any color combination and CRI ranging from 2200 to 6500K. the **HIVE MINI** is suitable for almost any outdoor need.

As one of the smallest high-power LED fixtures around and with an IP rating of 67, **HIVE MINI** is truly versatile and suitable for Architectural lighting, wall washing, areal lighting for retail, commercial and hospitality.



| | | | | | | | | |
|-------------------------------------------------------------------------------------|------------|-------------------------------------------------------------------------------------|-----------|-------------|---------------------------------------------------------------------------------------|---------------------------------------------------------------------------------------|---------------------------------------------------------------------------------------|---------------------------------------------------------------------------------------|
|  | CRI |  | lm | lm/w |  |  |  |  |
| IP 67 | 70-90 | 18W | 1704lm | 94 lm/w | 11-60°/Oval | 2200 - 6500K | RGB / RGBW / DW | RAL / Anodize |

TECHNICAL SPECIFICATION

OUTPUT

| | |
|----------------|---------------------------------------------------------------------------------|
| LED System | High power Luxeon Z / Z-ES |
| Intensity | 1704 lm @ full power CRI 80 3000K |
| Channel Range | 1 / 2 / 3 / 4 Channel |
| Color Range | 2200K - 6500K / RGB(9 Leds) / RGBW(12 Leds) |
| Optical System | 11° / 16° / 20° / 24° / 32° / 37° / 60° / Degrees and Oval 40*18° / Oval 42*14° |

ELECTRICAL

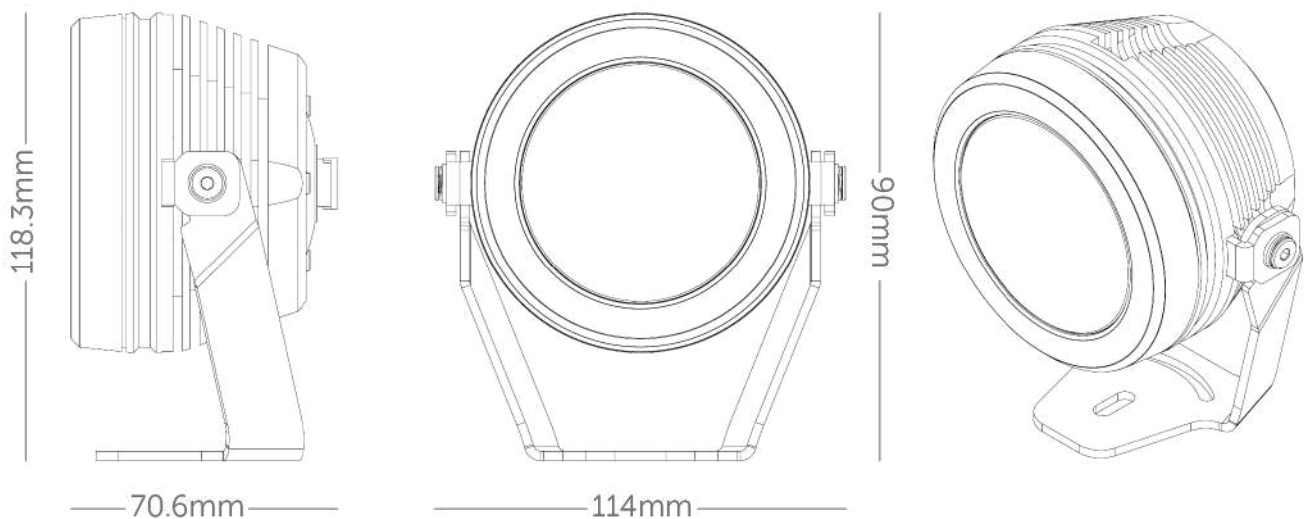
| | |
|-----------------|------------------------------------------------------|
| Control | External constant current driver |
| Input Voltage | |
| Consumption | 18W |
| Max LED's | 12 LEDs @ 700mA RGBW or @ 500mA Monochrome |
| Efficiency LM/W | 94 lm/w @ 3000K / 80CRI / 500mA |
| Connection | Cable 10X24AWG (4 Channel) Cable 2X18AWG (1 Channel) |

ENVIRONMENTAL

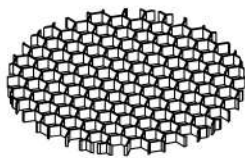
| | |
|---------------|-------------------------------|
| IP Rating | IP 67 |
| Working Temp. | -18°C ~ 40°C / 0°F ~ 104°F |
| Storage Temp. | -18°C ~ 40°C / -0.4°F ~ 104°F |

PHYSICAL

| | |
|---------|----------------------------------------|
| Size | H118 * Ø90mm |
| Housing | 15µ Anodized aluminum, Tempered Glass. |

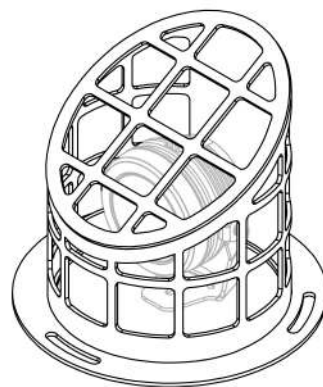


DRAWING



Hobeycomb

Cell W 5.2mm, H 3.2mm



Anti-Vandal Cage

W 208 * H 183mm

| Pin | Polarity | Color |
|-----|----------|--------|
| 2 | CH 1 + | Black |
| 3 | CH 1 - | White |
| 1 | CH 2 + | Red |
| 6 | CH 2 - | Blue |
| 7 | CH 3 + | Yellow |
| 4 | CH 3 - | Green |
| 8 | CH 4 + | Orange |
| 10 | CH 4 - | Purple |
| 9 | NTC | Grey |
| 5 | NTC | Brown |



Male Side



Female Side