

HIVECV

When HIVE is desired and Parallel connection is required



Innovative and stylish design transforms this fixture into a powerful washer, generating a uniform light output from a compact unit. With an aluminum body, perfect proportions, and sleek design, it fits elegantly into every environment.

The **HIVE CV** is equipped with 14 High Power LEDs and operated at 700mA with a maximal power consumption of 30W per fixture. Optics ranging from 11 to 60 degrees plus Oval. The **HIVE CV** is monochromatic ranging from 2200 to 6500K or any monochrome LED's.

the **HIVE CV** is equipped with an Internal driver and operated with a power supply ranging from 12 to 30 volts. It allows for parallel connection when wanted or in cases in which serial connection is not possible. With the HIVE and the **HIVE CV** the **HIVE family** is a one-stop shop for many outdoor installations.



	CRI		lm	lm/w				
IP 67	70-90	30W	2820lm	95lm	11-60° / Oval	2200 - 6500K	Monochrom	RAL / Anodize

TECHNICAL SPECIFICATION

OUTPUT

LED System	High power Luxeon Z ES
Intensity	3050lm @ full power CRI 80 4000K (14 LED'S @ 700mA)
Channel Range	1 Channel
Color Range	2200K / 2700K / 3000K / 3500K / 4000K / 5000K / 5700K / 6500K
Optical System	16° / 24° / 37° / 60° / Oval 18*40°

ELECTRICAL

Control	External Constant Voltage Driver 12-30 Volt (Typical 24V)
Input Voltage	12-30 Volt (Typical 24V)
Consumption	30W MAX
Max LED's	14 LED's @ 700 mA
Efficiency LM/W	94lm/w
Connection	Cable 2X18AWG

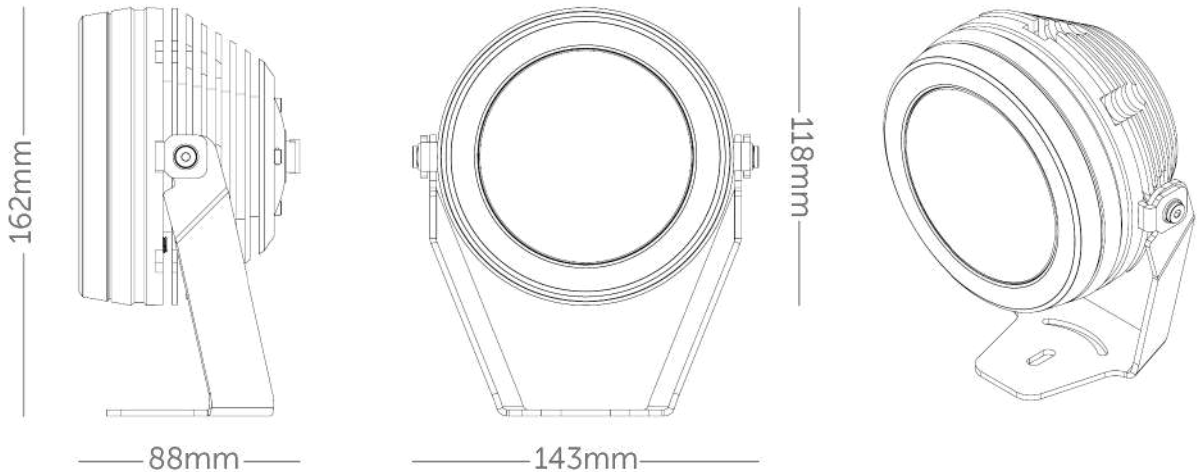
ENVIRONMENTAL

IP Rating	IP 67
Working Temp.	-18°C ~ 40°C / 0°F ~ 104°F
Storage Temp.	-18°C ~ 40°C / -0.4°F ~ 104°F

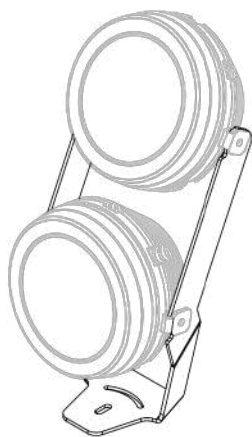
PHYSICAL

Size	L94 * Ø114mm
Housing	Machined 15μ anodized aluminum, Tempered glass.

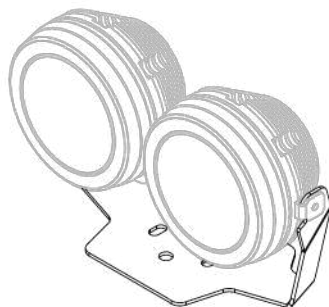
DRAWING



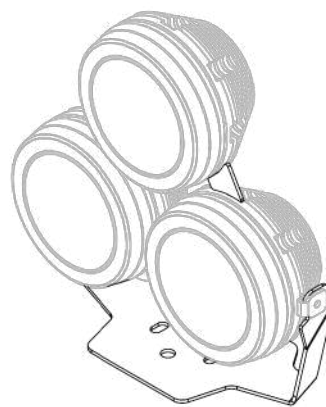
BRACKETS



Double Bracket
60° Tilt, 290 * 135mm



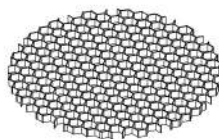
Double Bracket
90° Tilt, 160* 265mm



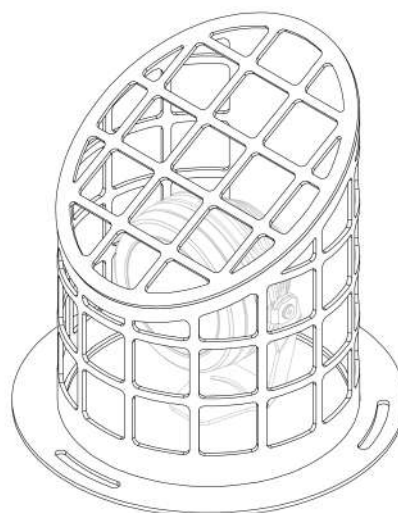
Triple Bracket
90° Tilt, 270* 265mm



Pole Base
W 85 * H 38mm

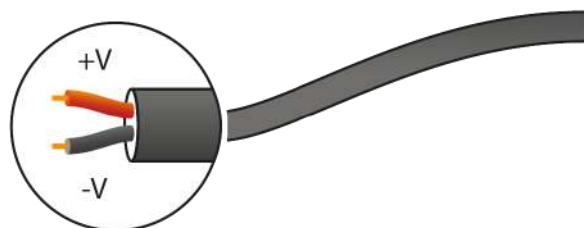


Hobeycomb
Cell W 5.2mm, H 3.2mm



Anti-Vandal Cage
W 260 * H 255mm

ACCESSORIES



PINOUT