

# **GINGER NSP**

*Small Size. Even Smaller beam angle and Extreme Light Output*


**GINGER NSP** is a unique spotlight that combines high light output with extra narrow optics and small size.

This combination provides new indoor and outdoor lighting options.

The **GINGER NSP** is IP67-rated and offers symmetric and asymmetric beam angles (4° and 5°X55°).

**Ginger NSP** is the perfect choice to illuminate high and narrow structures.



	<b>CRI</b>		<b>lm</b>	<b>lm/w</b>				
IP 67	70-90 CRI	MAX. 8.4W	487LM	58 lm/w	4/5*55 Optional 2	2700K~ 6500K	Monochrom	RAL / Anodize

**OUTPUT**

LED System	XHP35 HI Cree
Intensity	486 lm @ full power CRI 80 4000K
Channel Range	1 Channel
Color Range	2700/3000/3500/4000/4500/5000/5700/6000/6500
Optical System	4°

**ELECTRICAL**

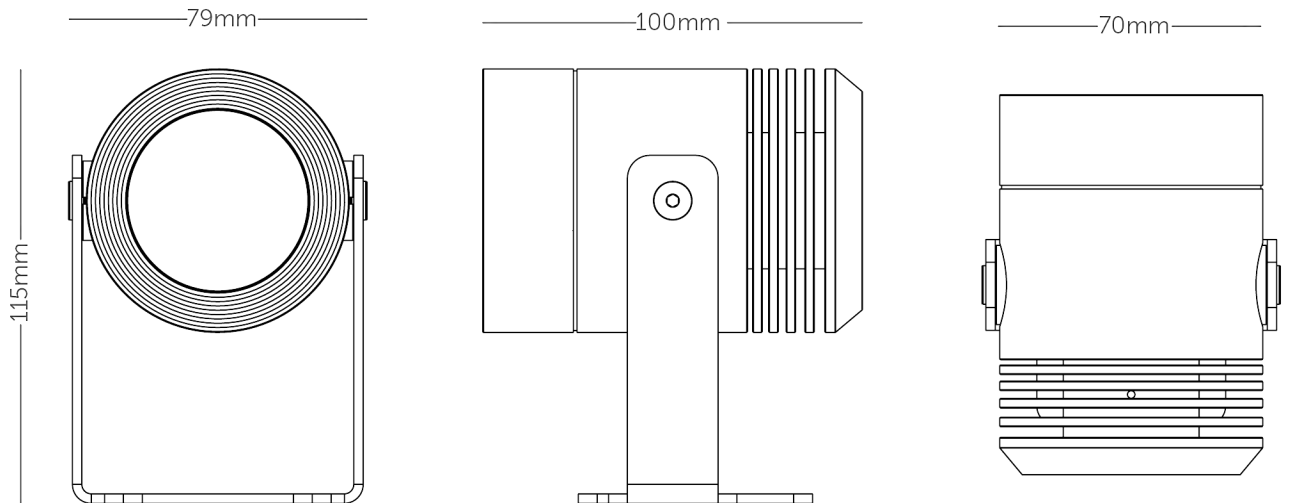
Control	Constant Current Driver
Input Voltage	11-12V
Consumption	8.4W @ 700mA / 12V
Max LED's	1 LED
Efficiency LM/W	58 lm/w
Connection	2 * 22AWG Neoprene Cable

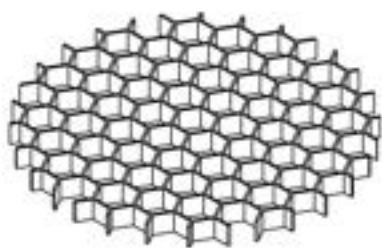
**ENVIRONMENTAL**

IP Rating	IP 67
Working Temp.	-18°C ~ 40°C / 0°F ~ 104°F
Storage Temp.	-18°C ~ 60°C / 0°F ~ 140°F

**PHYSICAL**

Size	H74 * Ø36mm
Housing	Anodized Aluminum





**Hobeycomb**  
Cell W 5.2mm, H 3.2mm

