



GINGER H/ GINGER 400

In-ground recessed high Lumen MicroSpot







GINGER is a line of spotlights affording a small and slick design and leading-edge technology. The series of spots includes both recessed and freestanding fixtures. **GINGER 400** is a new line of spotlights with higher light output of 470lm thanks to Luxeon 5050 Led.

Although GINGER is small in size, it affords a mighty light output of 216lm, thanks to the new Luxeon Z-ES LED. Furthermore, **GINGER**'s dark-light design ensures a pure light without glare.

GINGER has a smart design, incorporating a unique cooling method, and a concealed cable PG, to provide a slim cutout where its anodized color lends the final touch of an artist.

GINGER H for installations recessed into the ground using a housing box. This line is ideal for illuminating facades and niches, spas and pool areas, landscape lighting and scenery, counters and shelves, indoor and outdoor use, at home and/or in the office.



	CRI		lm	lm/w				
IP 67	70-90	MAX 2.1/4.2W	216/470	103/112lm/w	8° -49° / OV	2200K ~ 6500	Monochrome	RAL / Anodize

OUTPUT	Ginger H
LED System	Luxeon Z-ES
Intensity	216 lm @ CRI 80 4000K
Channel Range	1 Channel
Color Range	2200 / 2700K / 3000K / 3500K / 4000K / 5000K / 5700 / 6500 / COLORS
Optical System	8° / 14° / 28° / 44° / Oval 54 * 10°

Ginger H 400
Luxeon 5050 white
470lm @ CRI 80 3000K
1 Channel
2200 / 2700K / 3000K / 3500K / 4000K / 5000K / 5700 / 6500 / COLORS
8° / 18° / 30° / 49° / Oval 40 * 20°

ELECTRICAL	
Control	Constant current driver / 24V with Mini CC2CB
Input Voltage	3V @ 700mA / 24V with Mini CC2CV
Consumption	2.1W @ 700mA, 3.15W @1050mA
Max LED's	1 LED
Efficiency LM/W	103 lm/w
Connection	22AWG 2C, concealed cable PG

Constant current driver / 24V with Mini CC2CV
6V @ 700mA / 24V with Mini CC2CV
4.2W @ 700mA
1 LED
112lm/w
22AWG 2C, Concealed cable PG

ENVIRONMENTAL

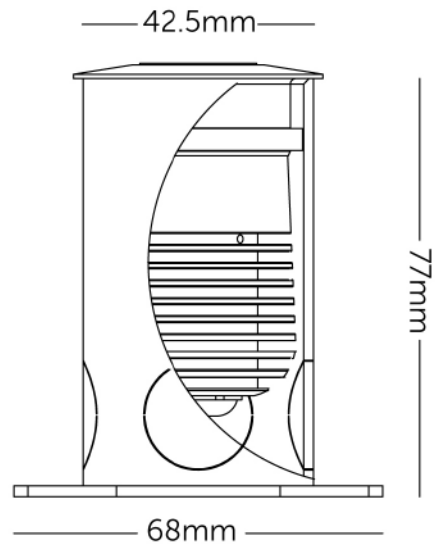
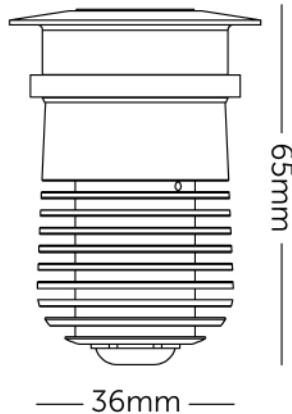
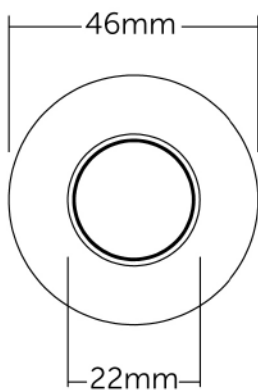
IP Rating	IP 67
Working Temp.	-18°C ~ 40°C / 0°F ~ 104°F
Storage Temp.	-18°C ~ 60°C / 0°F ~ 140°F

IP 67
-18°C ~ 40°C / 0°F ~ 104°F
-18°C ~ 60°C / 0°F ~ 140°F

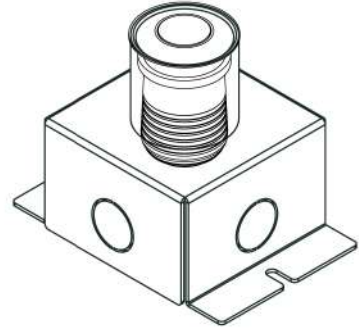
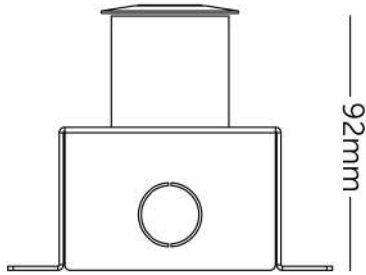
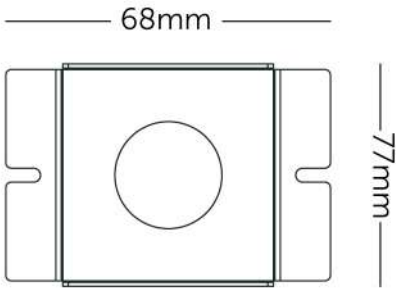
PHYSICAL

Size	H65mm * Ø46mm
Housing	Anodize Aluminum

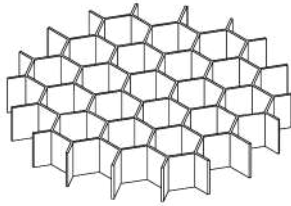
H65mm * Ø46mm
Anodize Aluminum



BRACKETS



ACCESSORIES



Honeycomb

PINOUT

